

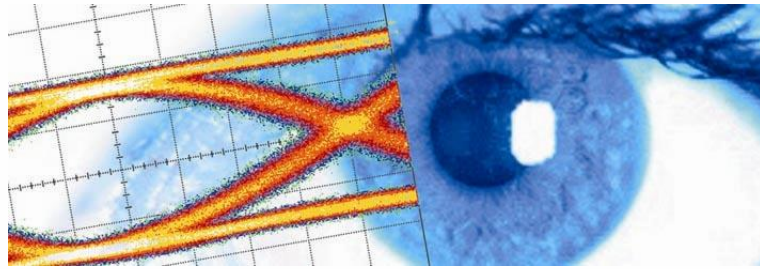


SHF Communication Technologies AG

Wilhelm-von-Siemens-Str. 23D • 12277 Berlin • Germany

Phone +49 30 772 051-0 • Fax +49 30 753 10 78

E-Mail: sales@shf-communication.com • Web: www.shf-communication.com



Datasheet

SHF DCB65R

Broadband DC-Block





Description

The SHF DCB65R is a compact, high performance DC-Block with a small footprint and a bandwidth of more than 65 GHz. It is the RoHS compliant successor of the SHF DCB65.

Applications

- Optical Communications
- High-Speed Pulse Experiments
- Satellite Communications
- Research and Development
- Antenna Measurements
- Data Transmission

Configurations

- A - 1.85mm male to 1.85mm female
- B - 1.85mm female to 1.85mm female
- C - 1.85mm male to 1.85mm male

Options

- HV100 - High Voltage (100 V DC)



Specifications - SHF DCB65R

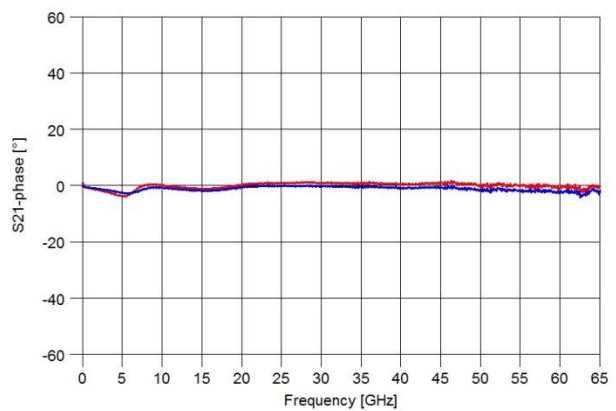
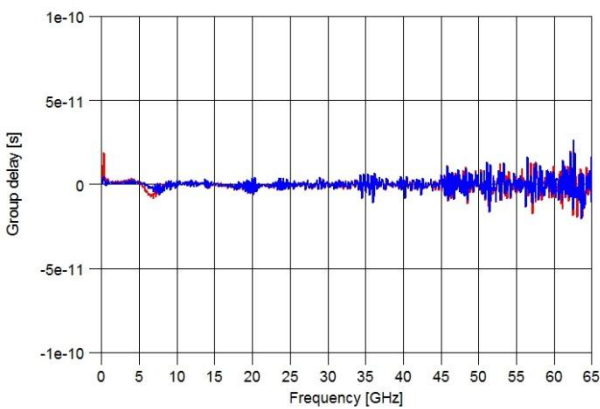
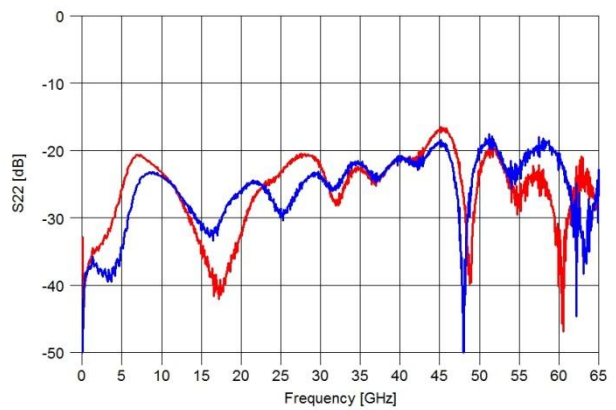
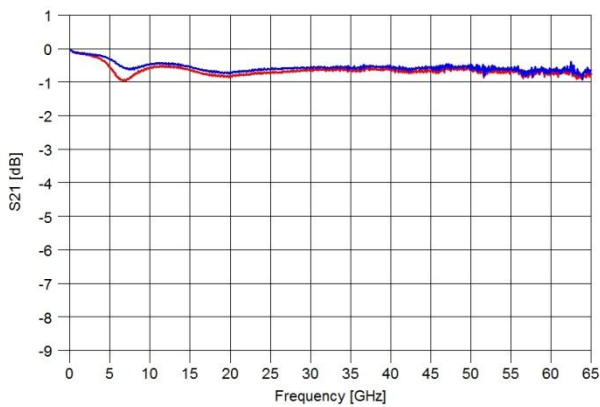
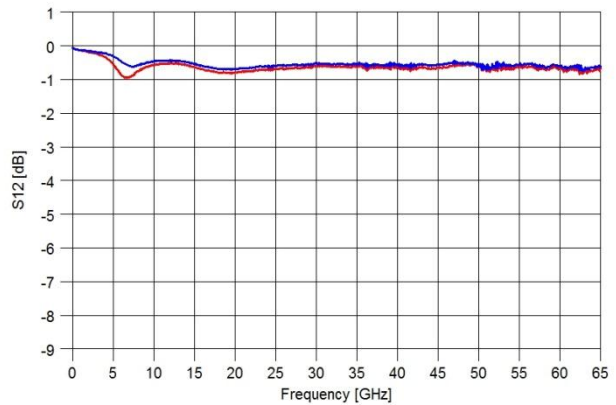
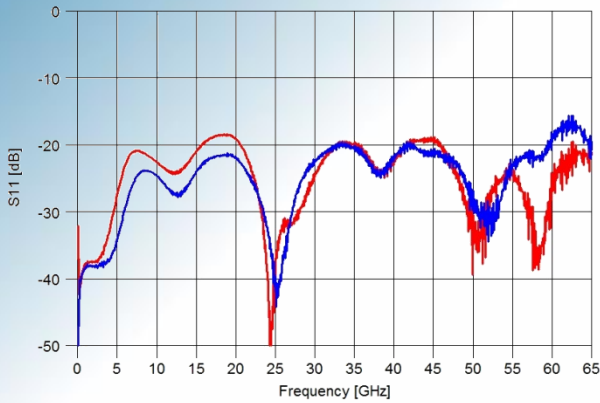
Parameter	Unit	Symbol	Min	Typ	Max	Conditions
Absolute Maximum Ratings						
Maximum RF Input	dBm V	$P_{in\ max}$			30 20	peak to peak voltage
DC Voltage W/o option	V				16	difference between both ports
DC Voltage Opt. HV100	V				100	difference between both ports
Case Temperature	T_{case}	°C	10	25	50	

Parameter	Unit	Symbol	Min	Typ	Max	Conditions
Electrical Characteristics (At 25°C case temperature, unless otherwise specified)						
High Frequency 3 dB Point	GHz	f_{HIGH}	65			
Low Frequency 3 dB Point W/o option	kHz	f_{LOW}		10 40	15 50	with 1 V _{DC} applied with 16 V _{DC} applied
Low Frequency 3 dB Point Opt. HV100	MHz	f_{LOW}		1 2.8	1.5 3.0	with 1 V _{DC} applied with 100 V _{DC} applied
Insertion loss	dB	S_{21}		1	1.5	< 65 GHz
Input Reflection	dB	S_{11}		-20 -15	-18 -12	< 25 GHz < 65 GHz
Rise Time/Fall Time	ps	t_r/t_f			5	20%...80%
Group Delay Ripple	ps				±50	40 MHz...50 GHz, 100 MHz aperture
Mechanical Characteristics						
Connector						1.85mm (V)
Dimensions	mm					17x7x10



Typical S-Parameters and Group Delay

W/o option: blue ; Option HV100: red



Aperture of group delay measurement: 100 MHz

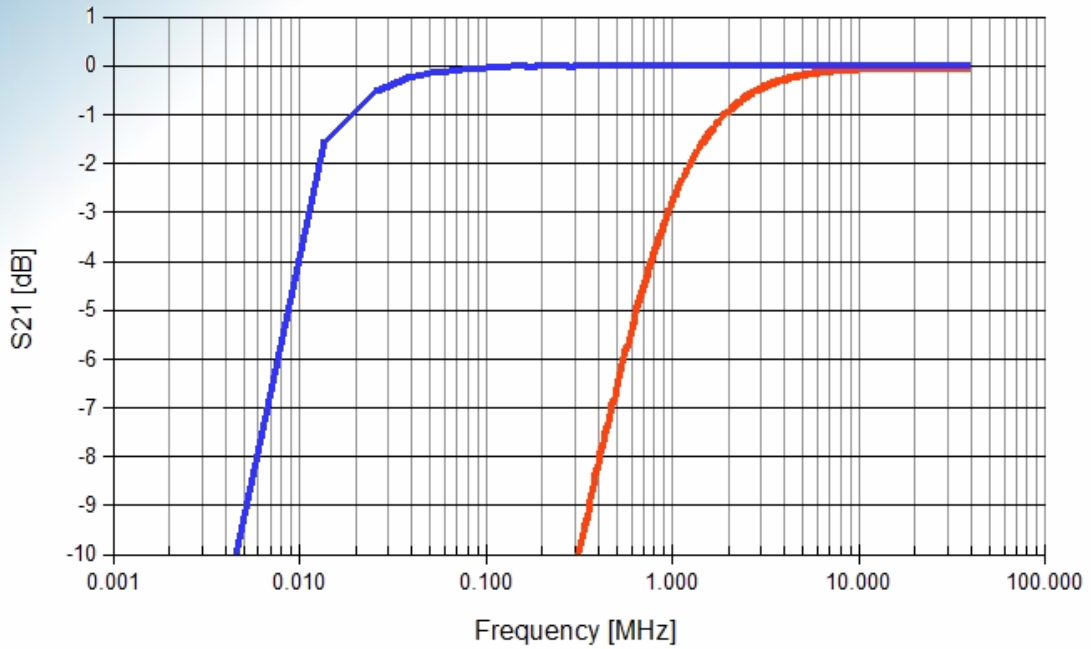
SHF reserves the right to change specifications and design without notice - SHF DCB65R - V002 - Jun 26, 2018

Page 4/6



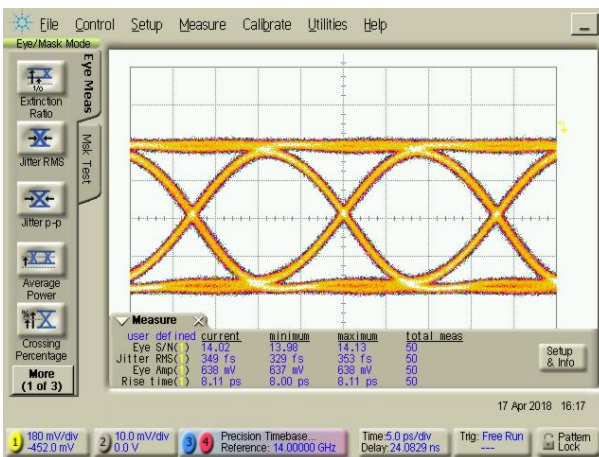
Typical Low Frequency Response

W/o option: blue ; Option HV100: red

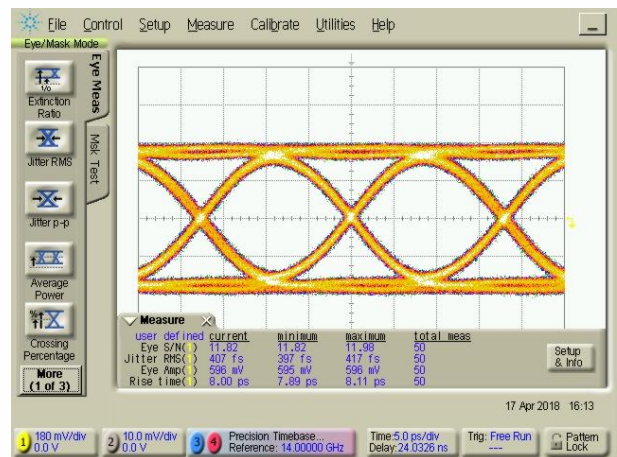


Typical Binary Waveforms

Measurements at 56 Gbps had been performed using a SHF 12103A and an Agilent 86100C DCA with Precision Time Base Module (86107A) and 70 GHz Sampling Head (86118A).



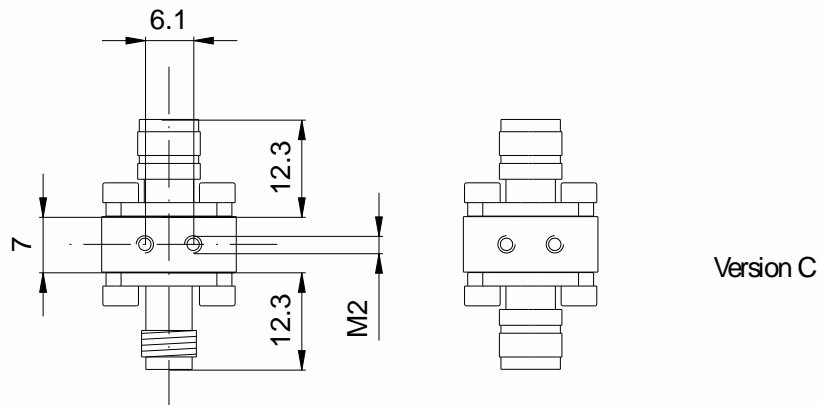
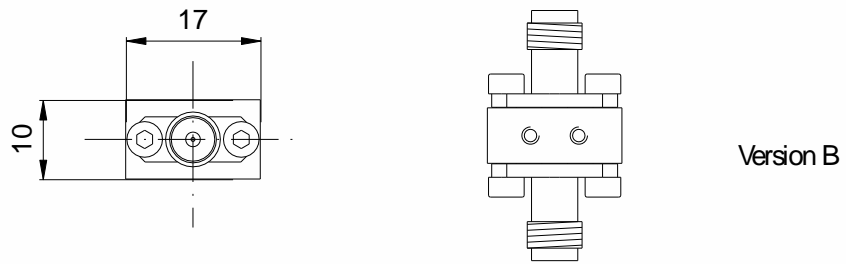
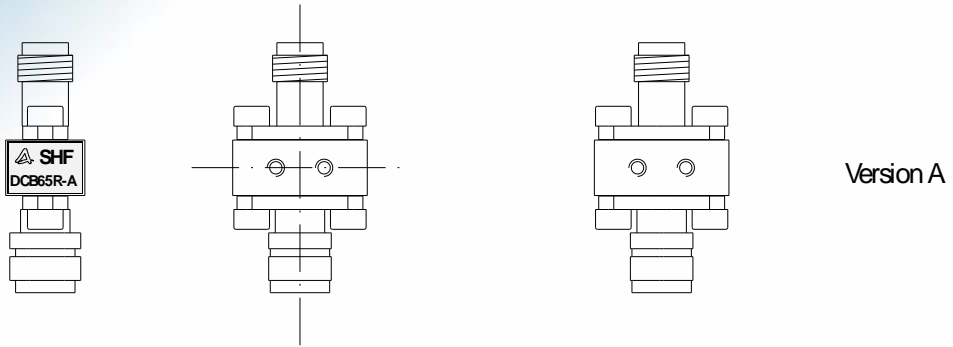
Input Signal @ 56 Gbps



Output Signal @ 56 Gbps



Mechanical Drawing



All dimensions in mm