

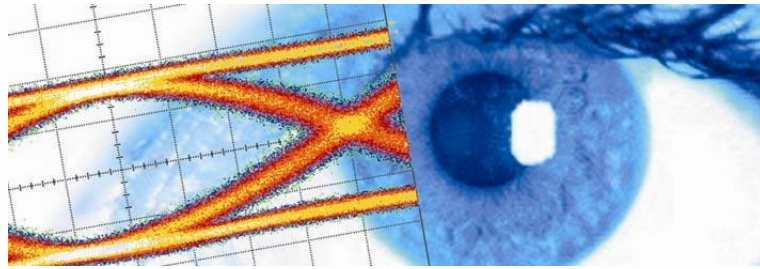


SHF Communication Technologies AG

Wilhelm-von-Siemens-Str. 23D • 12277 Berlin • Germany

Phone +49 30 772051-0 • Fax +49 30 7531078

E-Mail: sales@shf-communication.com • Web: www.shf-communication.com



Datasheet SHF 78123 A Clock Distribution



For illustration only, actual product may vary



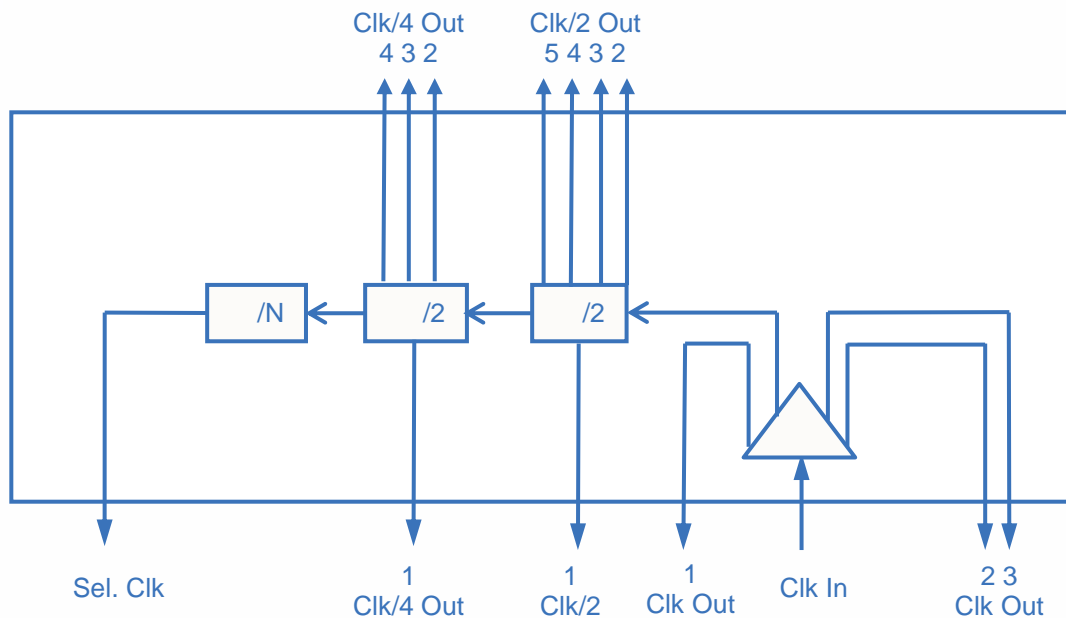
Description

The SHF 78123 A is a versatile broad band clock distribution providing copies of the incoming clock at different divider ratios.

Features

- Broad band operation from 6 to 64 GHz.
- Multiple clock outputs at different divider ratios.
- Controlled by intuitive graphical user interface BERT Control Center (BCC) via Ethernet

Block Diagram



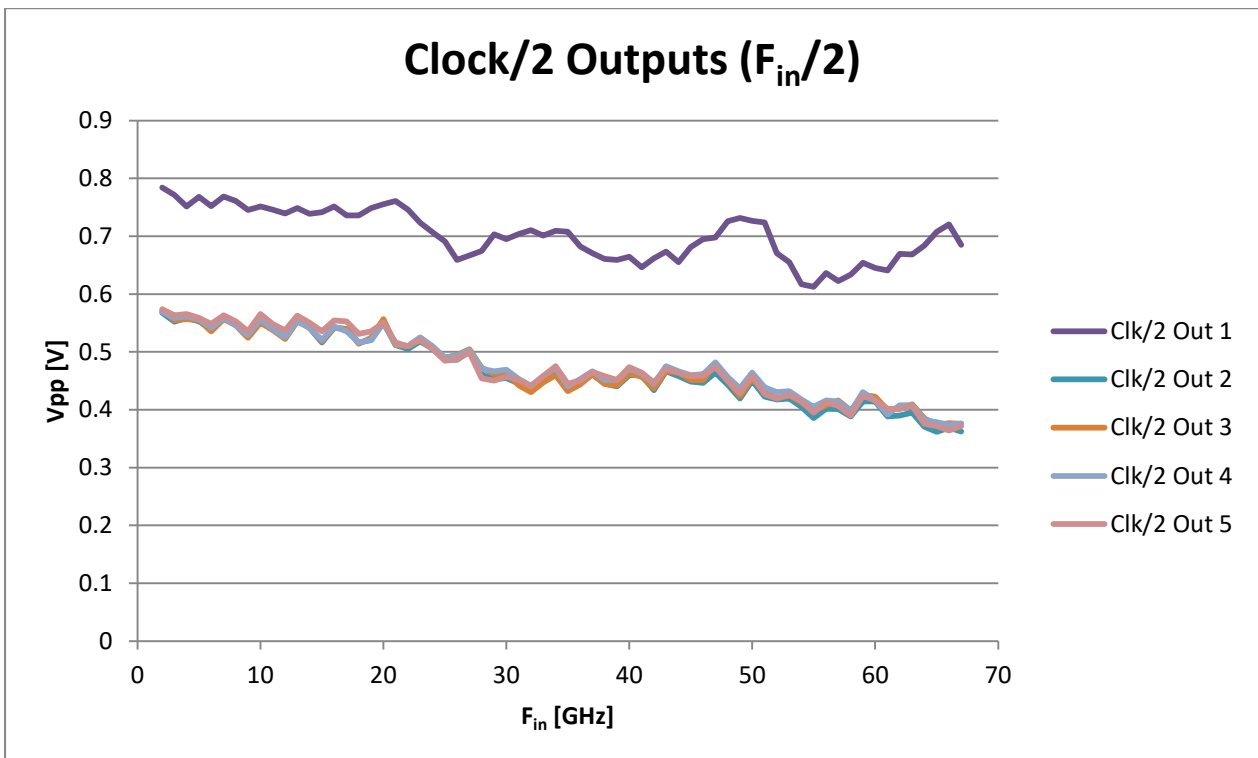
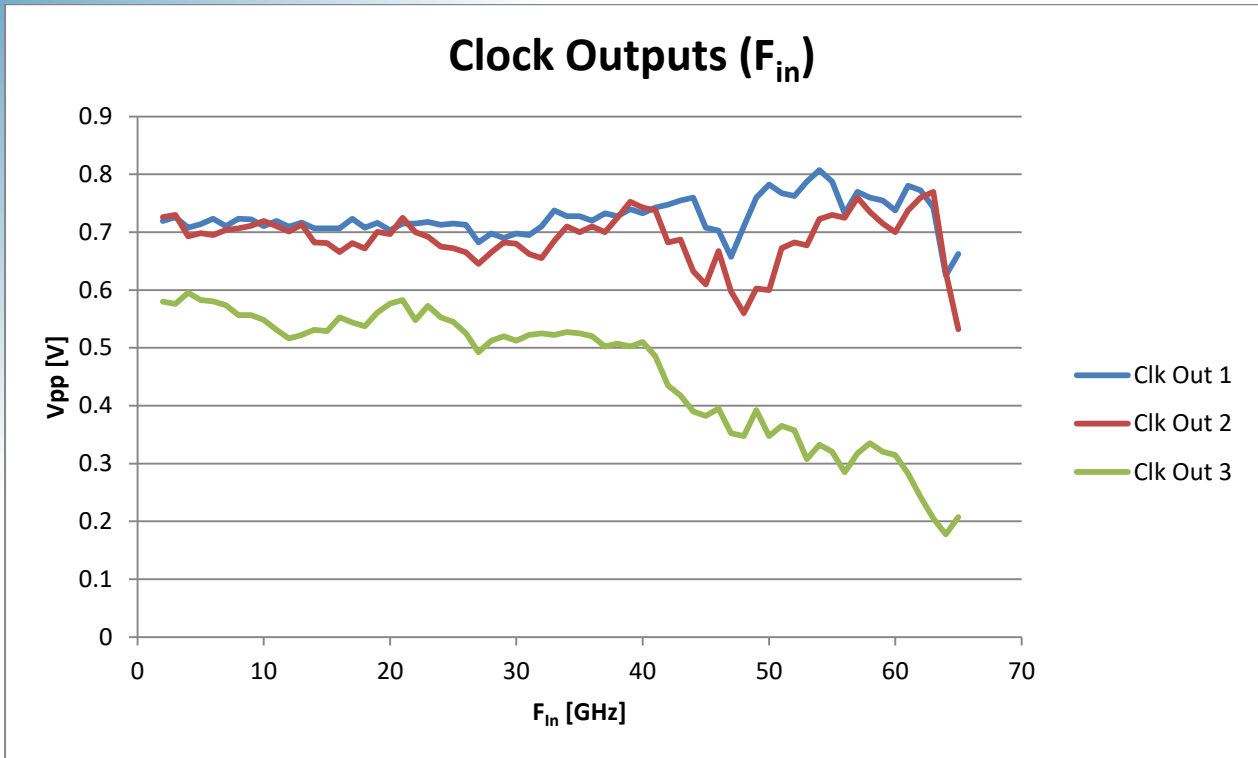


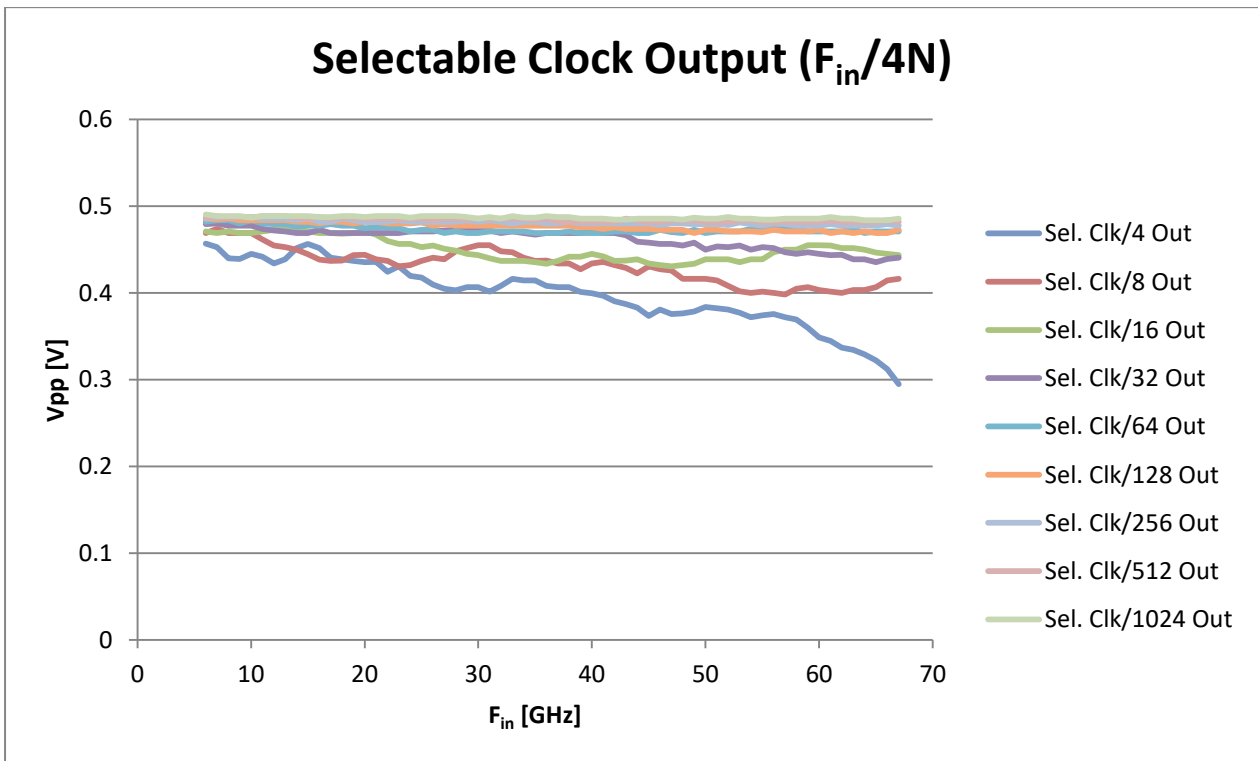
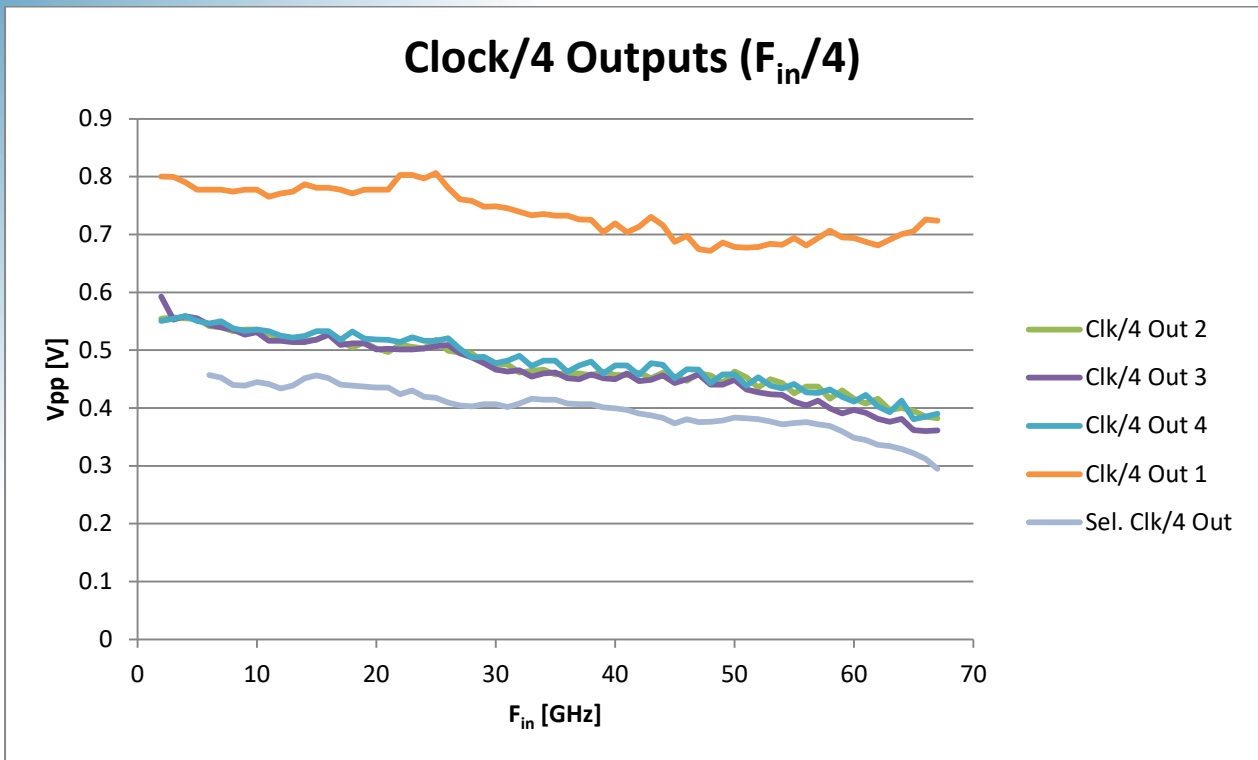
Specifications – SHF 78123 A

Parameter	Unit	Symbol	Min.	Typ.	Max.	Comment				
Clock Distribution										
Connector Type										
Clock In						1.85 mm (V) female				
Clock Out	Ω			50		1.85 mm (V) female				
Clock/2 Out						2.92 mm (K) female				
Clock/4 Out						2.92 mm (K) female				
Selectable Clock						2.92 mm (K) female				
Minimum Input Frequency						GHz	f_{in}			6
Maximum Input Frequency	GHz	f_{in}	64							
Output Frequency										
Clock Out	GHz	f_{out}				f_{in}				
Clock/2 Out						3	32	$f_{in} / 2$		
Clock/4 Out						1.5	16	$f_{in} / 4$		
Selectable Clock						0.006	16	$f_{in} / (4 * N)$ (N=1..256)		
Input Voltage						V_{in}	mV_{pp}	600		1000
Output Voltage										
Clock Out 1	V_{out}	mV_{pp}					500	700	1000	AC coupled
Clock Out 2							500	700	1000	AC coupled
Clock Out 3							100		700	AC coupled
Clock/2 Out 1							500	700	1000	AC coupled
Clock/2 Out 2-5							300	450	700	AC coupled
Clock/4 Out 1							500	750	1000	AC coupled
Clock/4 Out 2-4							300	450	700	AC coupled
Selectable Clock Out							250	450	600	AC coupled
General										
Power Supply Voltage		V		12		2.1 mm DC Power Jack +12 V switching power supply is included,				
Power Consumption		W		30		@ $V_C = +12V$				
Weight		kg		2.1						
Operating Temperature		°C	10		35	Ambient temperature				
Storage Temperature		°C	-20		70	Ambient temperature				
Network Connection		Mbps		10/100		Ethernet, RJ-45				



Typical Output Amplitudes







Mechanical Drawing

