

1.85mm/1.85mm

DC - 65GHz, Coaxial Panel Adapters For Front Access Ports

DESCRIPTION

This "KPC185MF FPA" called coaxial front panel adapter that easy to mate, low SWR and low loss, are designed for frequently connect/disconnect accessed broadband measurement, instrument and system use.

SPECIFICATIONS:

Electrical:

Frequency Range DC - 65 GHz
 SWR <1.3
 Insertion Loss <0.5 dB
 Electrical Length Below (Nominal)
 Temperature Range -55 to +125 deg.C

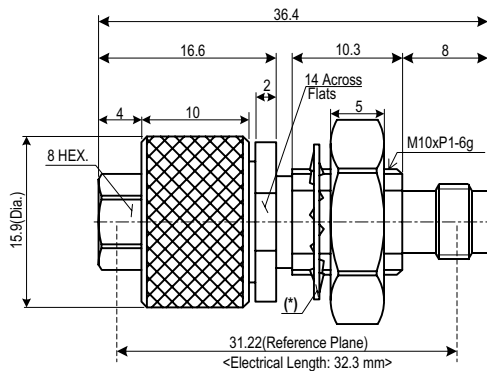
Mechanical:

Body: Passivated Stainless steel (*)
 Outer Conductors: Gold Plated Stainless steel
 Inner Conductors: Gold Plated Beryllium Copper
 Coupling Torque 90 N-cm(Nominal)
 Connect/Disconnect Life >1,000 Cycles

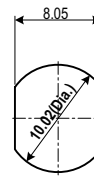


Production Status
 Three weeks Lead-Time will be available for shipping.

TYPE: KPC185MF FPA 1.85mm Male/1.85mm Female



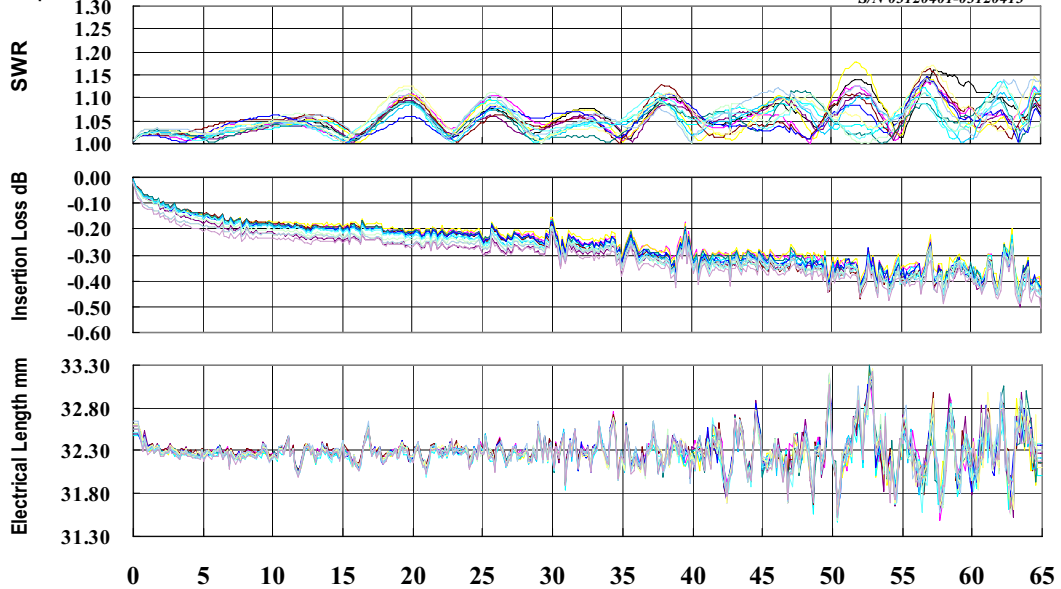
Mounting Hole and Thickness (Recommended)



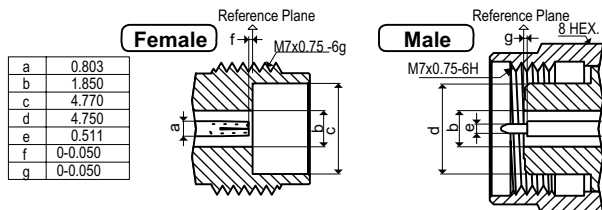
Thickness: 2 to 5.4mm

Typical Performance

No. of Samples:13pcs



Interface Mating Dimensions of KPC185MF FPA (1.85mm Connectors<*>)



a	0.803
b	1.850
c	4.770
d	4.750
e	0.511
f	0-0.050
q	0-0.050

Note:
 - All dimensions are in Millimeters.
 - (*)The toothed lockwasher is nickel plated steel.

<> Matable with 2.4mm Connectors

Specifications Subject to Change Without Notice.

Copyright(C) 2002-2004 KAWASHIMA Mfg. Co., Ltd. All rights reserved.

185MF FPA Rev.01 Apr.2006