

1.85mm

DC - 65GHz, Two-hole Flange Launchers & Glass Bead

DESCRIPTION

"KPC185M302 and KPC185F302" Two-hole Flange Launchers and "GB185" glass bead are designed for broadband devices and units with coaxial I/O interfaces.

SPECIFICATIONS:

Connectors

Electrical:

Frequency Range DC - 65 GHz
Return Loss >15 dB(*)
Temperature Range -55 to +125 deg.C

Mechanical:

Body and Outer Conductors:
-Passivated Stainless steel
Inner Conductors:
-Gold Plated Beryllium Copper and Brass
Coupling Torque 90 N-cm(Nominal)
Connect/Disconnect Life >1,000 Cycles

Glass Bead

Electrical:

Frequency Range DC - 65 GHz
Temperature Range -55 to +125 deg.C

Mechanical:

Outer and Inner Conductors:
-Gold Plated(**) Fe/Ni/Co Alloy (KOVAR)
Insulator: #7070 Glass(Corning)

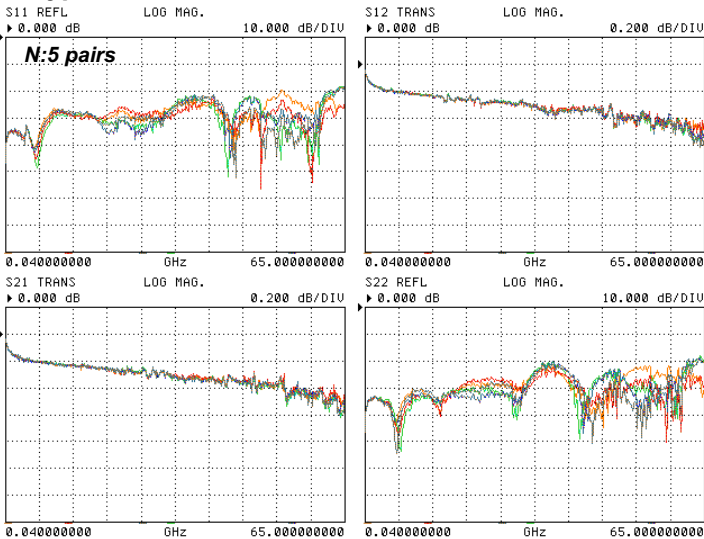
Others:

Soldering temperature 330 deg.C(max)
He leak rate 1×10^{-10} P_{am}³/sec

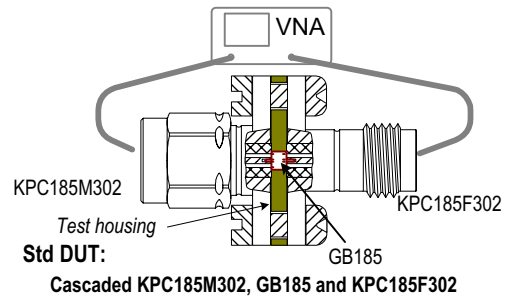


Production Status
Two weeks Lead-Time will be available for shipping.

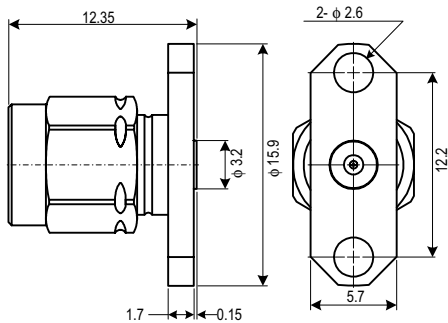
Typical Performance Note: (*) As std DUT configuration



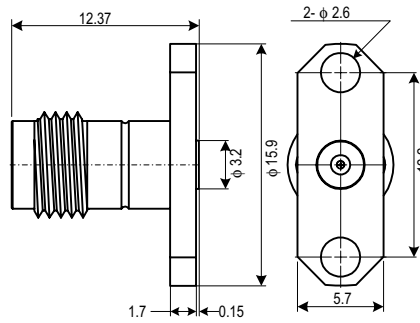
Test configuration



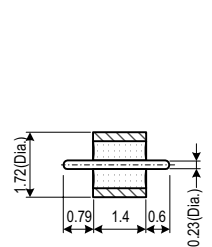
TYPE: KPC185M302 1.85mm Male



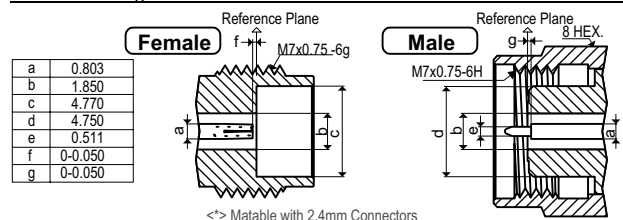
TYPE: KPC185F302 1.85mm Female



TYPE: GB185 Glass Bead



Interface Mating Dimensions of KPC185M302 & KPC185F302 Launchers<*>



Note:
- All dimensions are in Millimeters.
- (***) Thermo-Sonic wire bondable gold plating

Specifications Subject to Change Without Notice.

Copyright(C) 2005 KAWASHIMA Mfg. Co., Ltd. All rights reserved.



Kawashima Manufacturing Co., Ltd.

1-3-5 Higashiikuta, Tama-ku,
Kawasaki 214-0031 JAPAN

TEL: +81-44-911-7073 FAX: +81-44-911-9621
http://www.kmco.biz/ e-mail: sales@kmco.co.jp

185M/F302-GB185 Rev.00 Mar.2005