

1mm

DC - 110GHz, Flange Launchers

DESCRIPTION

"KPC100F311 and KPC100M311" flange launchers are designed for ultra-broadband devices and units with coaxial I/O interfaces.

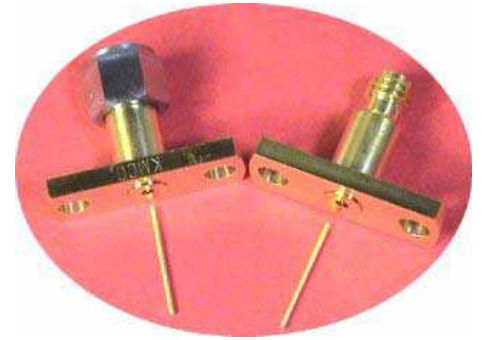
SPECIFICATIONS:

Electrical:

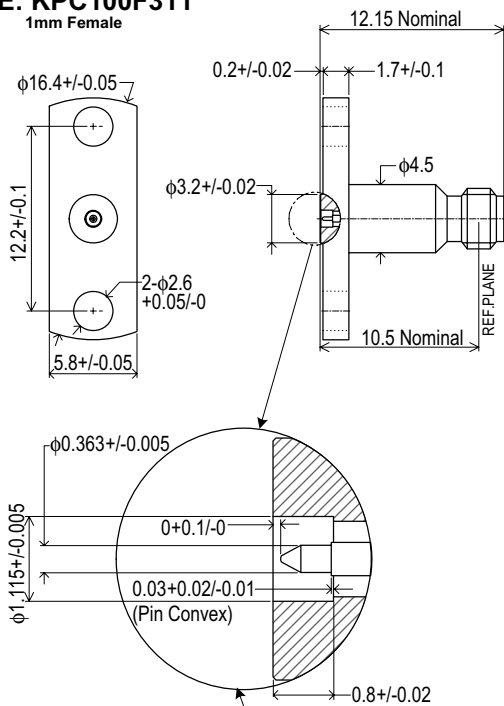
Frequency Range DC - 110 GHz
 Return Loss Better than 15 dB (*)
 Insertion Loss <0.7dB (*)
 Electrical Length 11.1 mm [Nominal]
 Temperature Range -55 to +125 Deg.C ⁽¹⁾

Mechanical:

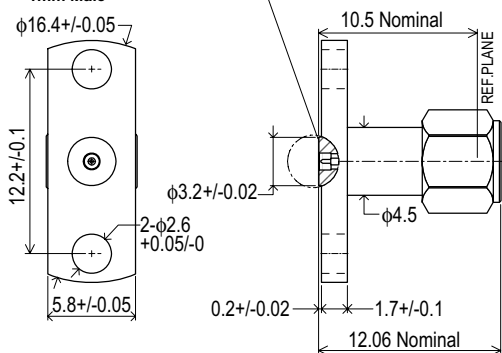
Body and Outer Conductors:
 -Gold Plated Stainless steel
 Inner Conductors:
 -Gold Plated Beryllium Copper and Brass
 Coupling Torque 45 N-cm(Nominal)
 Connect/Disconnect Life >500 Cycles [Predicted]



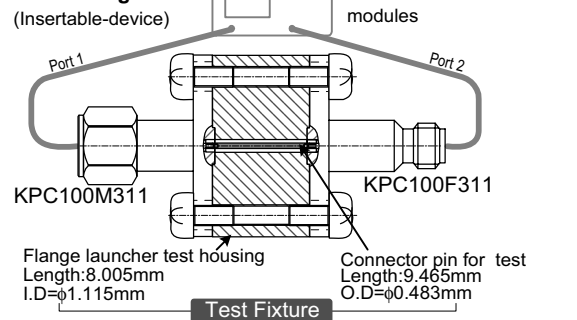
TYPE: KPC100F311 1mm Female



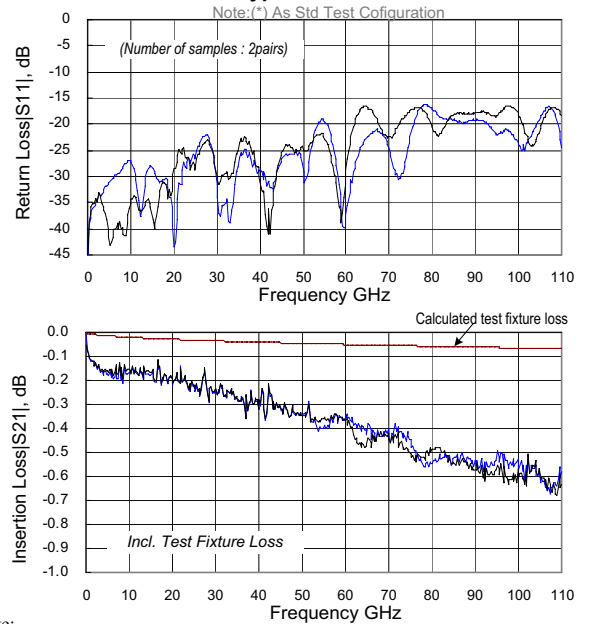
TYPE: KPC100M311 1mm Male



Std Test configuration

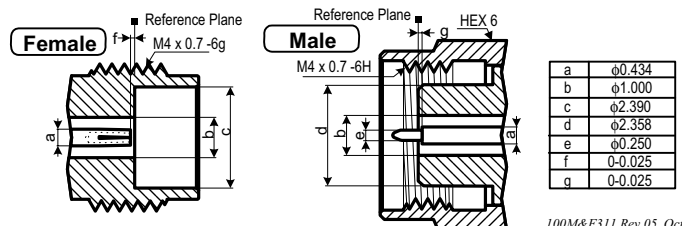


Typical Performance



Note:
 - All dimensions are in Millimeters.
 - (1) Temperature Range, short period:200 deg.C
 - (2) Tip of PIN to be touching "Pin Convex" in final assembly

Interface Mating Dimensions of KPC100



Connector PIN²⁾: Heat treated BeCu
 φ0.483±0.005 4-Slots Socket Contact
 9.65±0.1

The number of Connector PINs of 120% of number of Flange-Launches is shipped (round-up below decimal point).

Specifications Subject to Change Without Notice.

Copyright(C) 2004 KAWASHIMA Mfg. Co., Ltd. All rights reserved.



Kawashima Manufacturing Co., Ltd.

1-3-5 Higashiikuta, Tama-ku,
 Kawasaki 214-0031 JAPAN

TEL: +81-44-911-7073 FAX: +81-44-911-9621
 http://www.kmco.biz/ e-mail: sales@kmco.co.jp

100M&F311 Rev.05 Oct.17 2006