

Re-Formable Semirigid Cable Assemblies, Between Connector Interface 1 mm and 1.85 mm for DC - 67 GHz

DESCRIPTION

"CA185F100F, CA185F100M, CA185M100F, and CA185M100M" re-formable semirigid cable assemblies, Between, are up to 67 GHz and **easy to install with bending by hand** at your lab/site. They are designed for broadband measurement, instrument, and system applications.

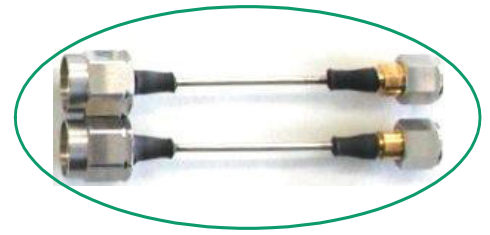
All materials are "lead free".

SPECIFICATIONS

Electrical:
See below table.

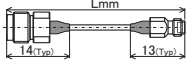
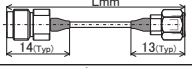

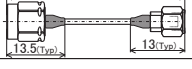
CABLE PROPERTIES

Outer Conductor 1.19 mm Diameter Copper with Cu/Sn/Zn Plated
Center Conductor Silver Plated Copper
Insulator PTFE
Moding Frequency 112 GHz (Approx.)
Delay Time 0.476 ns/100 mm
Inside Bending Radius 3 mm (min)
"Non-Magnetic"



Production Status
2 Weeks Lead-Time
for Shipping

[*] Please specify length (L:□□□□ see following table) when you order this item.
For example: CA185M100M0035 (Length: 35 mm)

TYPE	Connector Interface	Frequency Range	Return Loss	Insertion Loss	Temperature Range	Length (L)
CA185F100F  Female/Female	1.85 mm /1 mm	DC-67 GHz	> 15 dB	See Fig. 1	-55 to +100 °C	35 to 300 mm +/-2 mm [*] (Over 300 mm: Negotiable)
CA185F100M  Female/Male						
CA185M100F  Male/Female						
CA185M100M  Male/Male						

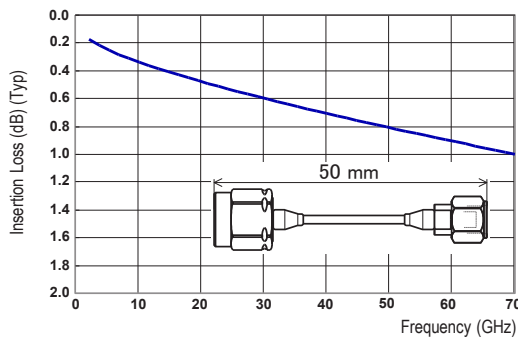


Fig.1 Estimated Insertion Loss, Including Adaptor

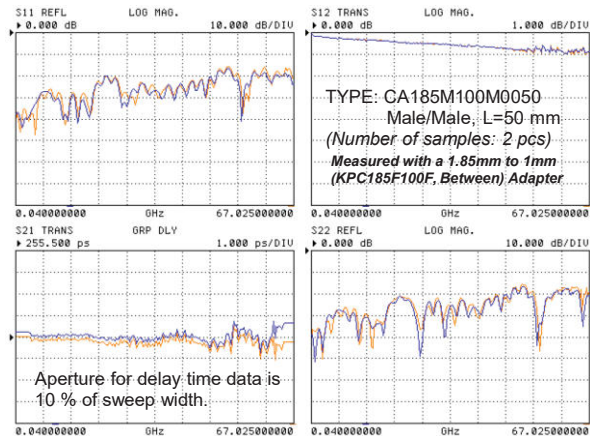
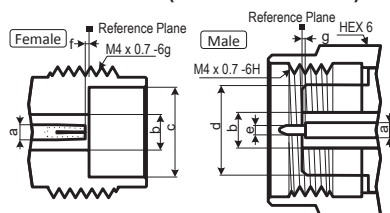


Fig.2 Typical Performance

NOTE: All dimensions are in millimeters.

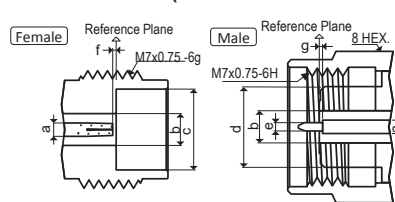
Connector Interface Mating Dimensions

KPC100 (1 mm Connectors)



KPC100(1 mm)	
a	φ 0.434
b	φ 1.000
c	φ 2.390
d	φ 2.358
e	φ 0.250
f	0-0.013
g	0-0.013

KPC185 (1.85 mm Connectors <->)



KPC185(1.85 mm)	
a	φ 0.803
b	φ 1.850
c	φ 4.770
d	φ 4.750
e	φ 0.511
f	0-0.050
g	0-0.050

<-> Matable with 2.4 mm connectors

Specifications Subject to Change Without Notice

Copyright(C) 2002-2017 Kawashima Manufacturing Co., Ltd. <All rights reserved.>

Rev. 03 June 2017

RoHS Compliant

REACH Compliant