

2.92 mm/2.92 mm Panel Adapter, In-Series DC - 40 GHz, Coaxial Panel Adapters for Front Access Ports

DESCRIPTION

"KPC292MF FPA" coaxial front panel adapter is easy to mate, good return loss, and low insertion loss. It is designed for frequently connected/disconnected broadband measurement, instrument, and system applications.

SPECIFICATIONS

Electrical:

Frequency Range	DC - 40 GHz
SWR	< 1.15
Insertion Loss	< 0.3 dB
Electrical Length	Shown below (Nominal)
Temperature Range	-55 to +125 °C

Mechanical:

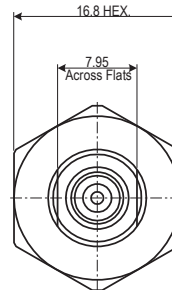
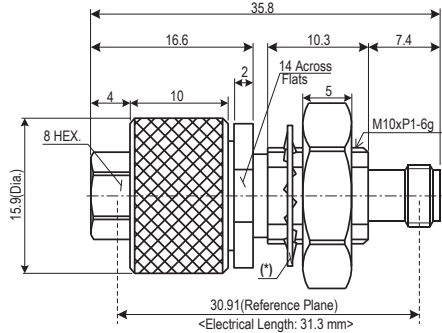
Body	Passivated Stainless Steel (*)
Outer Conductor	Gold Plated Stainless Steel
Inner Conductor	Gold Plated Beryllium Copper
Coupling Torque	90 N-cm (Nominal)
Connect/Disconnect Life	> 1,000 Cycles



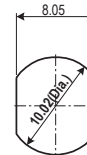
Production Status
3 Weeks Lead-Time
for Shipping

TYPE: KPC292MF FPA

2.92 mm Male/2.92 mm Female



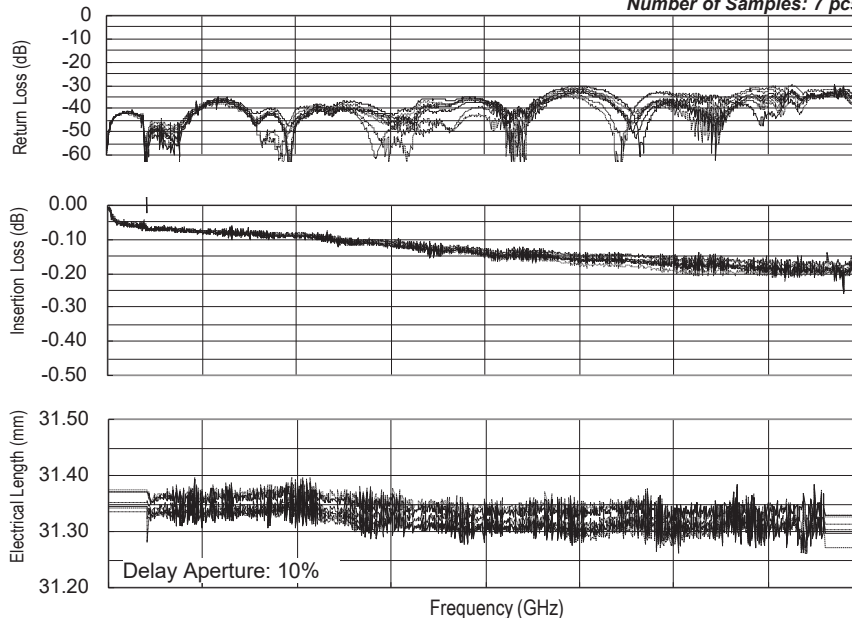
Mounting Hole and Thickness
(Recommended)



Thickness: 2 to 5.4 mm

Typical Performance

Number of Samples: 7 pcs



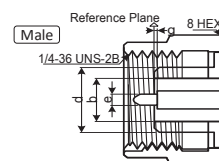
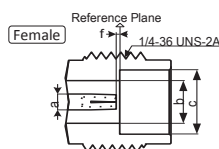
Interface Mating Dimensions of KPC292MF FPA (2.92 mm Connectors <=>)

NOTE:

All dimensions are in millimeters.

(*) Toothed lockwasher is nickel-plated steel.

KPC292(2.92 mm)	
a	φ 1.270
b	φ 2.920
c	φ 4.640
d	φ 4.580
e	φ 0.920
f	0-0.050
g	0-0.050



<=> Matable with 3.5 mm connectors and SMA

RoHS Compliant

REACH Compliant

Specifications Subject to Change Without Notice

Copyright(C) 2002-2017 Kawashima Manufacturing Co., Ltd. <All rights reserved.>

Rev. 03 June 2017