

1.85 mm/1.85 mm Panel Adapter, In-Series

DC - 65 GHz, Coaxial Panel Adapters for Front Access Ports

DESCRIPTION

"KPC185MF FPA" coaxial front panel adapter is easy to mate, low SWR, and low insertion loss. It is designed for frequently connected/disconnected broadband measurement, instrument, and system applications.

SPECIFICATIONS

Electrical:

Frequency Range	DC - 65 GHz
SWR	< 1.3
Insertion Loss	< 0.5 dB
Electrical Length	Shown below (Nominal)
Temperature Range	-55 to +125 °C

Mechanical:

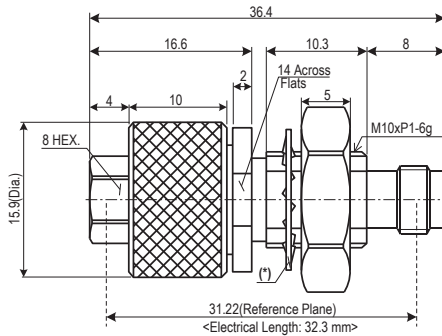
Body	Passivated Stainless Steel (*)
Outer Conductor	Gold Plated Stainless Steel
Inner Conductor	Gold Plated Beryllium Copper
Coupling Torque	90 N-cm (Nominal)
Connect/Disconnect Life	> 1,000 Cycles



Production Status
3 Weeks Lead-Time
for Shipping

TYPE: KPC185MF FPA

1.85 mm Male/1.85 mm Female



Mounting Hole and Thickness (Recommended)

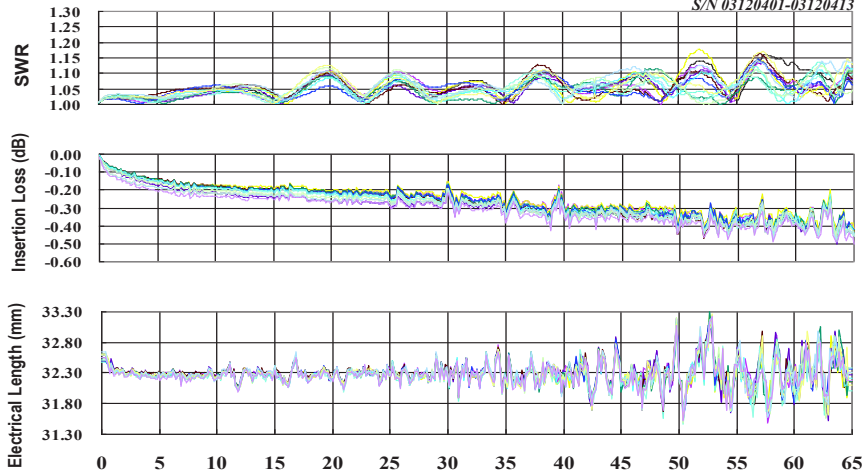


Thickness: 2 to 5.4 mm

Typical Performance

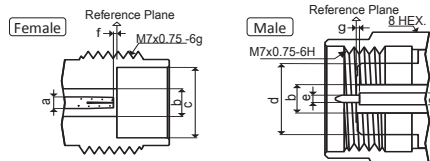
Number of Samples: 13 pcs

S/N 03120401-03120413



Interface Mating Dimensions of KPC185MF FPA (1.85 mm Connectors <*>)

KPC185(1.85 mm)	
a	φ 0.803
b	φ 1.850
c	φ 4.770
d	φ 4.750
e	φ 0.511
f	0-0.050
g	0-0.050



RoHS Compliant

REACH Compliant

NOTE:

All dimensions are in millimeters.

(*)Toothed lockwasher is nickel-plated steel.

<*> Matable with 2.4 mm connectors

Specifications Subject to Change Without Notice

Rev. 03 June 2017

Copyright(C) 2002-2017 Kawashima Manufacturing Co., Ltd. <All rights reserved.>

KMCO Kawashima Manufacturing Co., Ltd.
ISO9001:14001 Certified

1-3-5 Higashi-ikuta, Tama-ku,
Kawasaki 214-0031 JAPAN

TEL: +81-44-911-7073
http://www.kmco.biz/

FAX: +81-44-911-9621
e-mail: sales@kmco.co.jp