

Data Sheet

SHF TRM110 A



110 GHz Termination



Description

The SHF TRM110 A is a compact, high-performance termination with a bandwidth exceeding 110 GHz.

It is available in a female (WF) or a male (WM) 1.0 mm connector configuration to meet individual requirements of the customer and to avoid additional adapters in the setup.

Dedicated mounting holes on the back side allow secure installation on a mounting plate for stable system integration.

Features

- Small and lightweight
- Low reflection

Configurations

- WF: 1.0 mm female port
- WM: 1.0 mm male port

Product Code Example

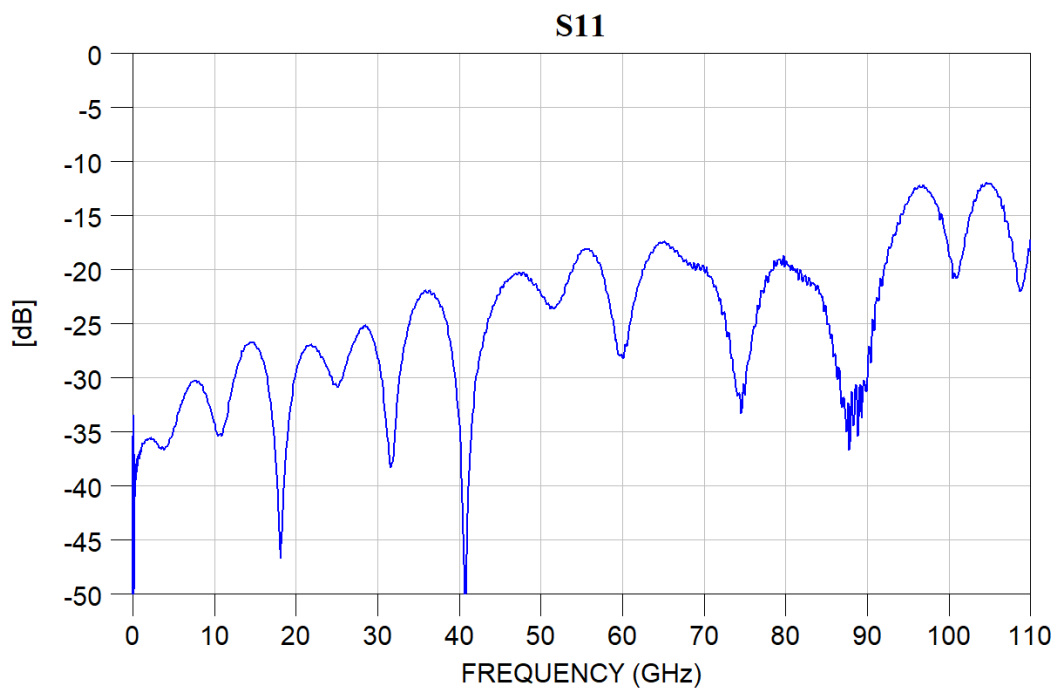
- SHF TRM110 A | WF
Brand: SHF | Type: 110 GHz Termination | Revision: A | Connector Configuration: Port 1 - 1.0 mm female



Specifications¹

Parameter	Unit	Symbol	Min	Typ	Max	Conditions
Frequency range	f	GHz	DC		110	
Return loss	dB	RL	25 20 15 13 10			f < 10 GHz 10 GHz < f < 25 GHz 25 GHz < f < 50 GHz 50 GHz < f < 90 GHz 90 GHz < f < 110 GHz
Power handling	W	$P_{in,max}$			0.5	
Input impedance	Ω	R_L		50		
Operating temperature	°C	T_{case}	10		50	
Input connector						1.0 mm
Weight	g			10.8		
Dimensions	mm				18 30.1 9	Width Length Height

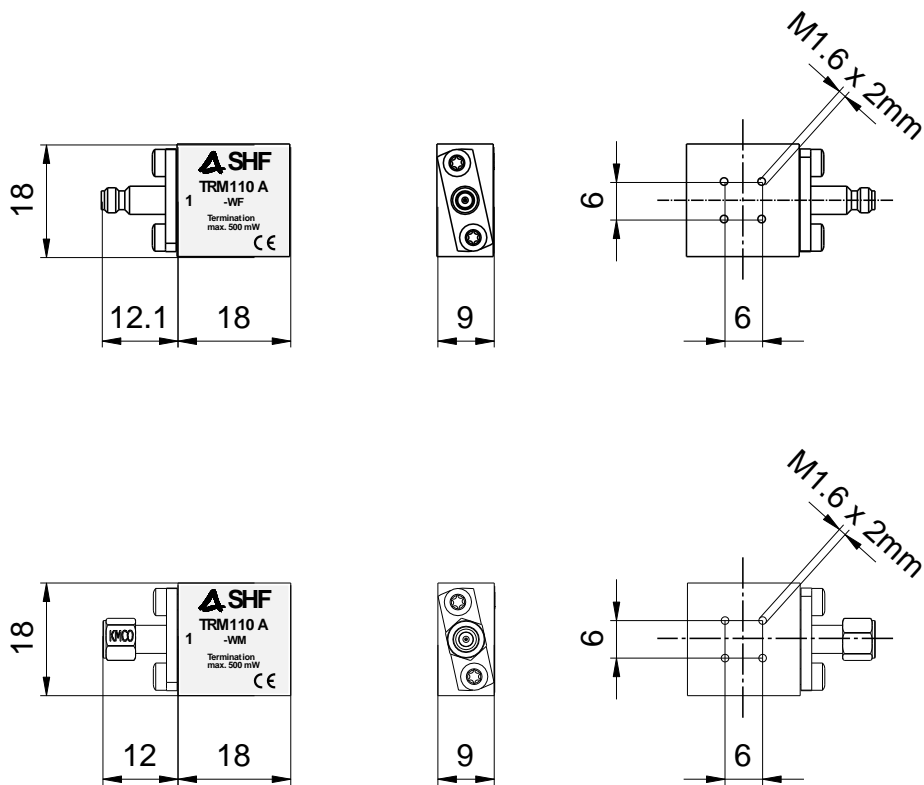
Typical S-Parameters



¹ These specifications are valid for the WF configuration.



Mechanical Drawing



All dimensions in mm



SHF Communication Technologies AG

Wilhelm-von-Siemens-Str. 23 D | 12277 Berlin | Germany

+49 30 772 051 0

sales@shf-communication.com

www.shf-communication.com